

No.	Item	Symbol	Unit	Specification	No.	Item	Symbol	Unit	Specification
1	Drive	-	-	3 ϕ 220VAC	13	Rotor Inertia	J-M	kg-cm ²	39.95 \pm 10%
2	Cooling Method	-	-	Totally Enclosed	14	Rated Power Rate	Q-R	Kw/s	91.32
3	Exciting Method	-	-	Permanent Magnet	15	Resistance	Ra	Ω	0.275 \pm 10%/2 ϕ
4	Resolution	-	-	17 bit INC	16	Inductance	L	mH	6.8 \pm 10%/2 ϕ
5	Rated Output	P-R	kW	4	17	Mech. Time Constant	Tm	ms	1.05 \pm 10%
6	Rated Torque	T-R	N-m	19.1	18	Elect. Time Constant	Te	ms	24.69 \pm 10%
7	Max. Torque	T-max	N-m	47.75	19	Insulation Class	-	-	Class F
8	Rated Speed	N-R	rpm	2000	20	Operation Temp.	T	$^{\circ}$ C	0~40
9	Rated Current	I-R	A	16	21	Operation Humd.	RH	%	<80
10	Max. Current	I-max	A	40	22	Storage Temp.	T	$^{\circ}$ C	-20 $^{\circ}$ ~60 $^{\circ}$
11	Torque Constant	Kt	N-m/A	1.19 \pm 10%	23	Storage Humd.	RH	%	<80
12	Voltage constant	Ke	V/Krpm	79.3 \pm 10%/2 ϕ	24	Weight	W	kgw	16.9

Pin	Signal
A	U
B	V
C	W
D	FG

Motor Wiring

Pin	Signal
B	Vcc
I	Gnd
A	/
C	/
H	SD+
D	SD-
G	/
E	/
F	FG

Encoder Wiring

Note: Δ

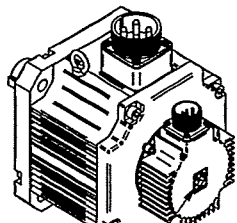
1. Motor to be IP67.

(excluding the shaft opening & connectors)

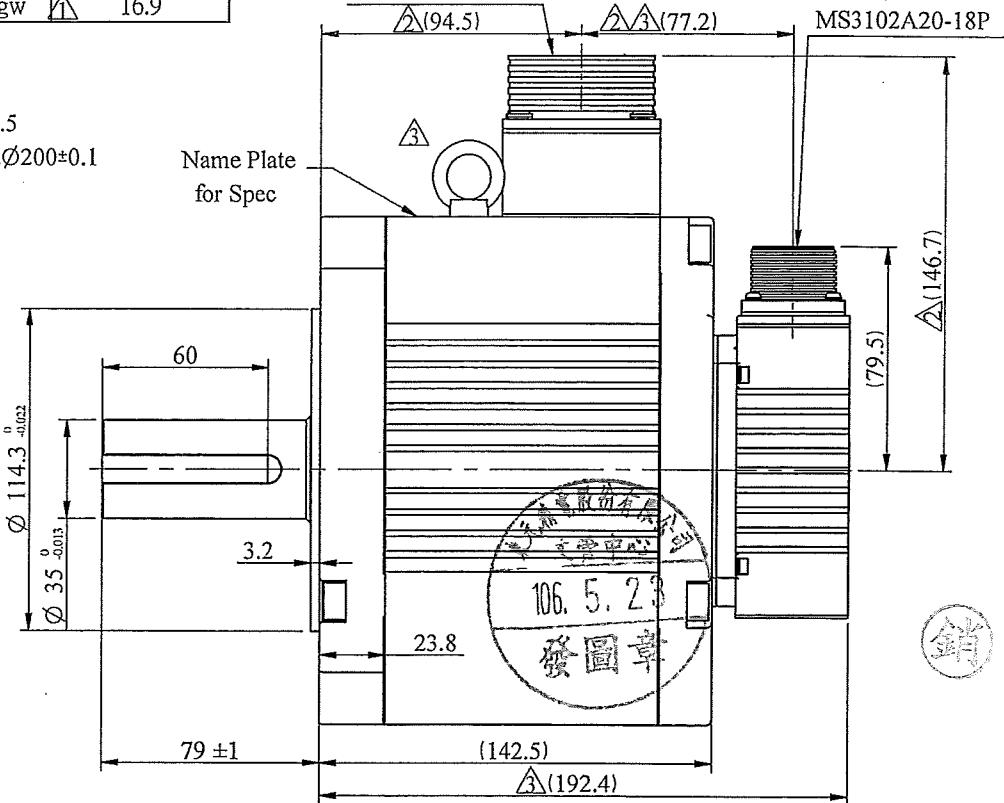
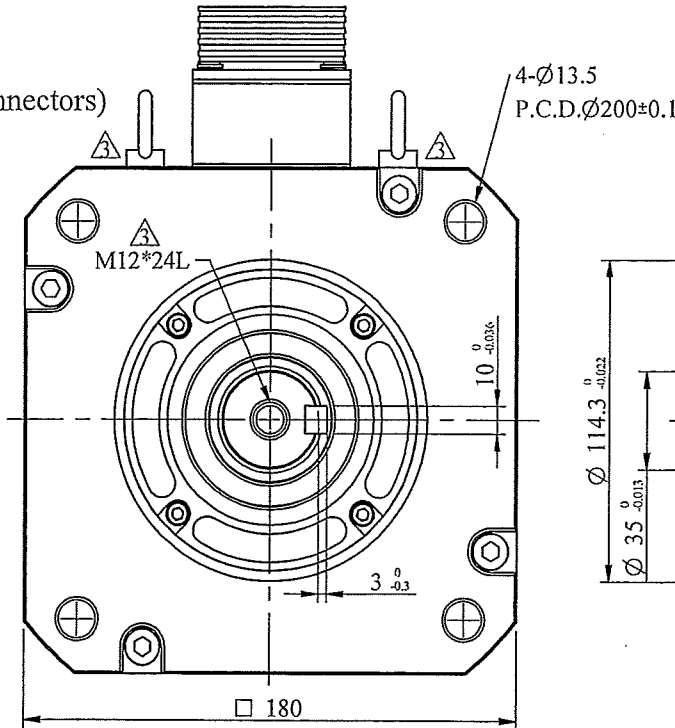
2. The detail of Name plate for Spec. refers to the file DC-JXE-002.



Name Plate for Notice



Name Plate for Notice



STANDARD TOLERANCE				APVD		SCALE	UNIT	m m	NAME	Servo Motor Outline Drawing	
X	\pm 0.5	03	IS17417-01	Chase	04-17-17	CHKD					
.X	\pm 0.2	02	IS16622-01	Chin	06-22-16	CHKD					
.XX	\pm 0.05	01	IS16603-01	Chin	06-06-16	DWN					
ANGLE	\pm 30'										
MATERIAL		REV	DESCRIPTION	SIGNATURE	DATE	SIGNATURE	DATE			Dept. Design	DWG.NO. DTSB18402B3N7AD01